

Applications

- Process Industry
- Power Industry
- Chemical Industry
- Oil and Gas
- Metals and Mining
- Water and Waste
- Pulp and Paper

Y Strainers

Pressures to 3705 PSIG
Temperatures to 800°F



RATINGS

- ASME Class 150
- ASME Class 300
- ASME Class 600
- ASME Class 900
- ASME Class 1500
- ASME Class 500

FEATURES

- Low pressure drop streamlined design
- Large strainer screens
- Compact end to end dimension
- Fabricated Construction

MATERIALS

- Ductile Iron
- Bronze
- Carbon Steel
- Low Temp Steel
- Chrome Molly
- Stainless Steel
- Other Materials Upon Request

END CONNECTIONS

- Flat Faced
- Raised Face
- RTJ Flanged
- Buttweld
- Threaded (NPT)
- Socketweld
- Sweat

SIZES

- Fabricated - Custom sizes to meet any requirements



FY SERIES FABRICATED Y STRAINERS

PRESSURES TO 6170 PSIG (425 BARG)
TEMPERATURES TO 800°F (427°C)

Custom engineered and fabricated Y strainers
NPT, RF or RTJ, Socketweld and Buttweld connections designed in accordance with ASME B16.34 and B16.5
Standard thru bolt or grooved cover design.
Installation in horizontal or vertical pipelines.
Stainless steel perforated screens are standard
Drain/Blow-off connection furnished with plug

APPLICATIONS

Steam, liquid, gas and oil service
Power industry
Pulp and paper
Chemical industry
Process Equipment
Metal & Mining
Water & Waste

APPLICABLE CODES

Designed/Manufactured to meet ASME B31.1, B31.3 or B31.4 and/or ASME Section VIII, Div. 1.
Canadian Registration Numbers (CRN) available
Welders certified to ASME Section IX

MODELS

FY1 – Standard
FYZ – Custom Configuration

OPTIONS

Other materials, sizes and/or configurations
Quick Opening covers – See Page
Other screen, mesh or wedgewire – See Page
Vent and/or differential pressure connections
“U” stamped vessels
NACE MRO10-75 Certification
External/Internal coatings
600# flange rating and higher
Gooved end connections
Oxygen cleaning
Contact Factory for other Options

FY Series Ordering Code

Model	Material	Inlet Size	Class	Con- nection	Dash	Cover	Perf	Mesh
F	Y	1	C	Q	1	R	-	B
1	2	3	4	5	6	7	8	9
								10
								11

Model - Position 1-3
FY1 - Standard
FYZ - Custom Configuration

Material - Position 4
C - Carbon Steel
L - Low Temp CS
V - 304 SS
T - 316 SS
T - 316 SS
M - Monel
H - Hastelloy
Z - Other

Inlet Size - Position 5
H - 2"
J - 2-1/2"
K - 3"
M - 4"
N - 5"
P - 6"
Q - 8"
R - 10"
S - 12"
T - 14"
U - 16"
V - 18"
W - 20"
X - 22"
Y - 24"
1 - 28"
2 - 30"
3 - 36"
4 - 40"
Z - Other

Class - Position 6
1 - 150
3 - 300
4 - 600
5 - 900
6 - 1500
7 - 2500
Z - Other

Connection - Position 7
B - Buttweld¹
F - Flat Face Flange
G - Grooved
N - NPT
J - Ring Joint Flange
R - Raised Face Flange
K - Socket Weld
Z - Other

1. For Buttweld connection please specify mating pipe schedule.

Dash - Position 8
Cover - Position 9
B - Bolted
C - Bolted w/C-Clamp
D - Bolted w/Davit
J - Bolted w/Hinge
G - Grooved
H - T - Bolt Hinged
T - Threaded Hinged
Y - Yoke Hinged
Z - Other

Perf - Position 10
304SS Material Standard²
A - None
B - 3/64"
1 - 1/32"
2 - 1/16"
3 - 3/32"
4 - 1/8"
5 - 5/32"
6 - 3/16"
7 - 7/32"
8 - 1/4"
9 - 3/8"
Z - Other

2. For other screen materials, contact factory.

Mesh² - Position 11
A - None
1 - 10
2 - 20
3 - 30
4 - 40
5 - 50
6 - 60
7 - 80
8 - 100
9 - 120
Z - Other

For any variations, use the part Numbering system above but clearly indicate the additional requirements.

THE HELLAN® STRAINER COMPANY

CLEVELAND, OHIO (USA)
PHONE (216) 206-4200 • FAX (216) 206-4242

FY SERIES FABRICATED Y STRAINERS

SPECIFICATION

Y Strainer shall be designed and manufactured to meet ASME B31.1, ASME B31.3 or ASME B31.4 and/or ASME Section VIII Div. 1. The Strainer body shall be fabricated steel or other specified material. The screen shall be size _____ perf Stainless Steel. The strainer shall have a bolted cover furnished with a drain connection and plug as standard. The strainer shall have an inlet size of _____ and Open Area Ratio of _____. The Y Strainer shall be SSI FY__ Series.

MATERIALS OF CONSTRUCTION

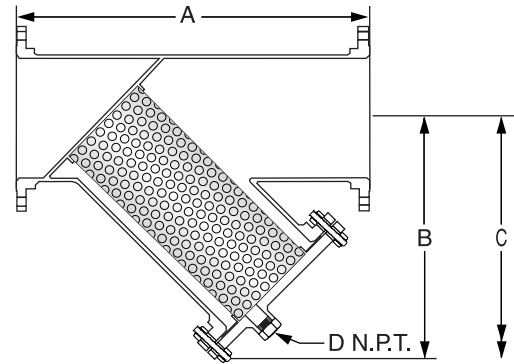
(Carbon Steel shown*)

Shell & NozzlesSA53S/B / A106-B
 FlangesSA105
 Coupling/threadoletSA105
 PlugSA105
 Screen Retainer RingA36
 Screen¹304 SS
 Gasket¹304 SS Spiral Wound
 StudSA193-B7
 NutSA194-2H

* Other Materials Available. Consult Factory

1. Recommended Spare Parts

Materials specification will change when NACE MR01-75 is specified.



Shown with Bolted Cover

Connections*:
 2-24" NPT, Socketweld,
 RF, FF, RTJ or Buttweld

* For additional sizes consult factory.

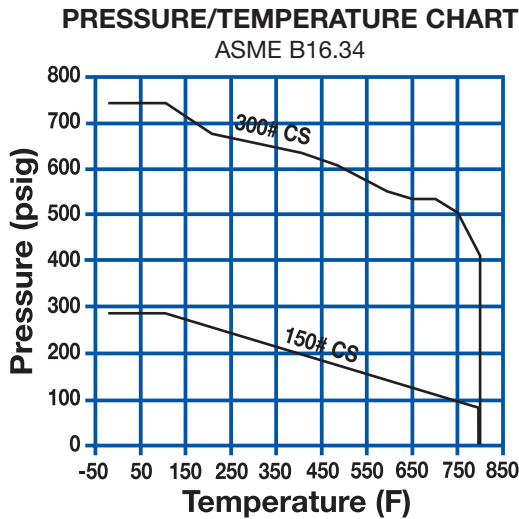
SCREEN OPENINGS

SIZE	STANDARD SCREEN	MATERIALS
2"-12"	1/8" Perf	304 SS
14"-24"	3/16" Perf	304 SS

DIMENSIONS inches (mm)

AND WEIGHTS pounds (kg)

150# Shown - Consult Factory for other ratings



For Quick Opening Covers Ratings see page

For higher pressure classes and other materials, consult factory.

SIZE	A	B	C	D	WEIGHT	
					Cover	Unit
2 (50)	10 ¹³ / ₁₆ (275)	8 ¹ / ₄ (210)	13 ¹ / ₄ (337)	1/2 (15)	5 (2)	28 (13)
2 ¹ / ₂ (65)	13 ³ / ₈ (340)	10 ¹ / ₄ (260)	16 ⁷ / ₁₆ (418)	1 (25)	9 (4)	81 (37)
3 (80)	13 ³ / ₈ (340)	10 ¹ / ₄ (260)	16 ⁷ / ₁₆ (418)	1 (25)	9 (4)	81 (37)
4 (100)	14 ³ / ₄ (375)	10 ¹ / ₂ (267)	16 ³ / ₄ (425)	1 ¹ / ₂ (4)	17 (8)	85 (39)
5 (125)	17 ¹ / ₄ (438)	12 ¹ / ₂ (318)	20 (508)	1 ¹ / ₂ (40)	20 (9)	110 (50)
6 (150)	22 (559)	14 (356)	22 ⁷ / ₁₆ (570)	2 (50)	26 (12)	145 (66)
8 (200)	24 (610)	17 ³ / ₄ (451)	28 ⁷ / ₁₆ (722)	2 (50)	45 (20)	256 (116)
10 (250)	31 ¹ / ₂ (800)	22 (559)	35 ¹ / ₄ (895)	2 (50)	70 (32)	380 (172)
12 (300)	32 ³ / ₄ (832)	25 (635)	40 (1016)	2 (50)	110 (50)	700 (317)
14 (350)	39 ³ / ₄ (1010)	27 (686)	43 ¹ / ₄ (1099)	2 (50)	140 (63)	750 (340)
16 (400)	45 ¹ / ₄ (1149)	30 ⁷ / ₈ (784)	49 ¹ / ₂ (1257)	2 (50)	180 (82)	905 (410)
18 (450)	48 ¹ / ₂ (1232)	33 ⁷ / ₈ (861)	54 ¹ / ₄ (1378)	2 (50)	220 (100)	1125 (510)
20 (500)	53 ³ / ₄ (1365)	39 (991)	62 ¹ / ₂ (1588)	2 (50)	285 (129)	1415 (641)
24 (600)	64 (1626)	44 (1118)	70 ¹ / ₂ (1791)	2 (50)	430 (195)	1825 (827)

Dimensions shown are subject to change.

Consult factory for certified drawings when required.

THE HELLAN® STRAINER COMPANY

CLEVELAND, OHIO (USA)
 PHONE (216) 206-4200 • FAX (216) 206-4242

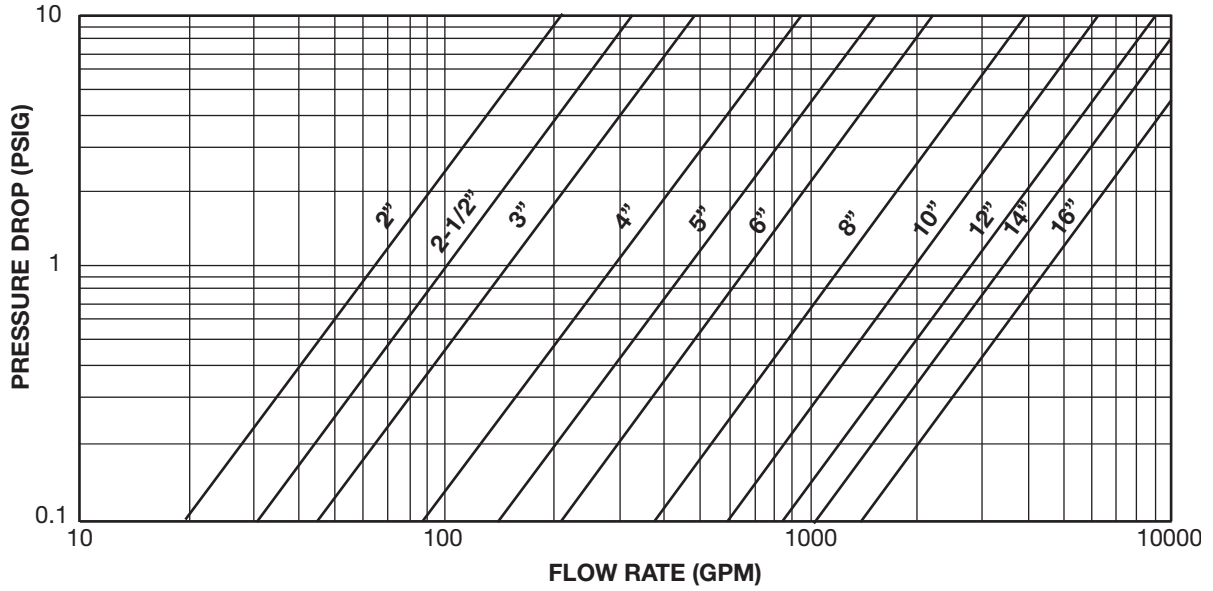
FY SERIES

FABRICATED Y STRAINERS

PRESSURE DROP VS FLOW RATE

Water Service, Clean Basket, 1/32" - 1/4" Perforated Screen*

(Sizes 2" - 16")



* For Gas, Steam or Air service, consult factory.

Steam Service Pressure Drop
Page <None>

Correction Factors for Other Viscous Liquids and/or Mesh Liners Page

Correction Factors for Clogged Screens Page

FY SERIES

FABRICATED Y STRAINERS

OPEN AREA RATIOS

with Standard Perforated Screen

Size	Perf. Diameter (inches)	Opening %	Std Pipe Nominal Area (in ²)	Gross Screen Area (in ²)	Free Screen Area (in ²)	Open Area Ratio (OAR)
2	1/8	40	3.4	39	16	4.6
3	1/8	40	7.4	77	31	4.2
4	1/8	40	12.7	135	54	4.2
5	1/8	40	20.0	160	64	3.2
6	1/8	40	28.9	215	86	3.0
8	1/8	40	50.0	375	150	3.0
10	1/8	40	78.9	545	218	2.8
12	1/8	40	113.1	785	314	2.8
14	3/16	50	140.5	900	360	2.6
16	3/16	50	185.7	1210	484	2.6
18	3/16	50	237.1	1560	624	2.6
20	3/16	50	294.8	1950	780	2.6
24	3/16	50	429.1	2765	1106	2.6

OAR = Free Screen Area / Inlet Area

Free Screen Area = Opening % x Gross Screen Area

Values shown are approximate. Consult factory for exact ratios.

Other Screen Openings
Page <None>

Basket Burst Pressure
Page <None>