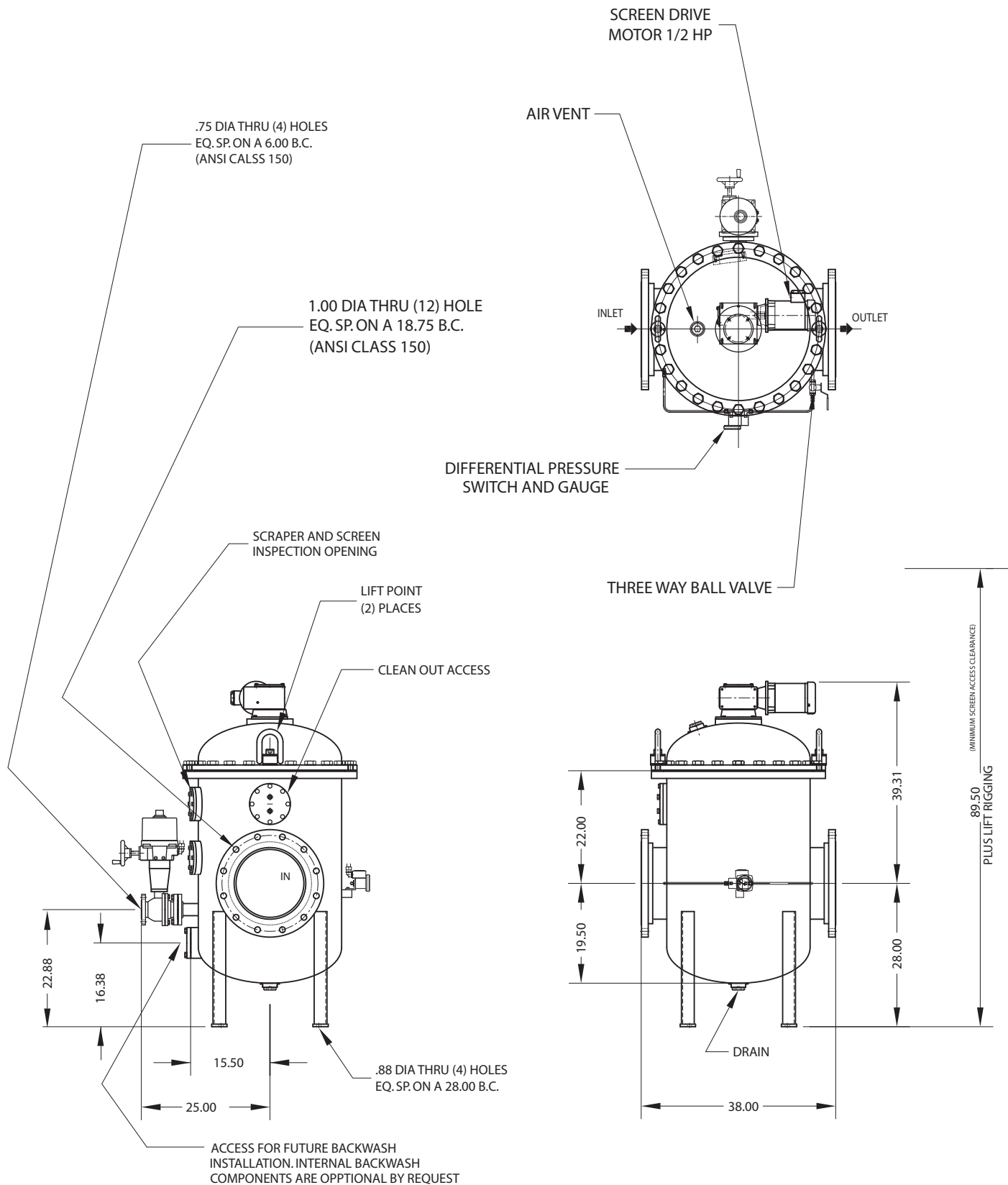


14" AUTOMATIC STRAINER

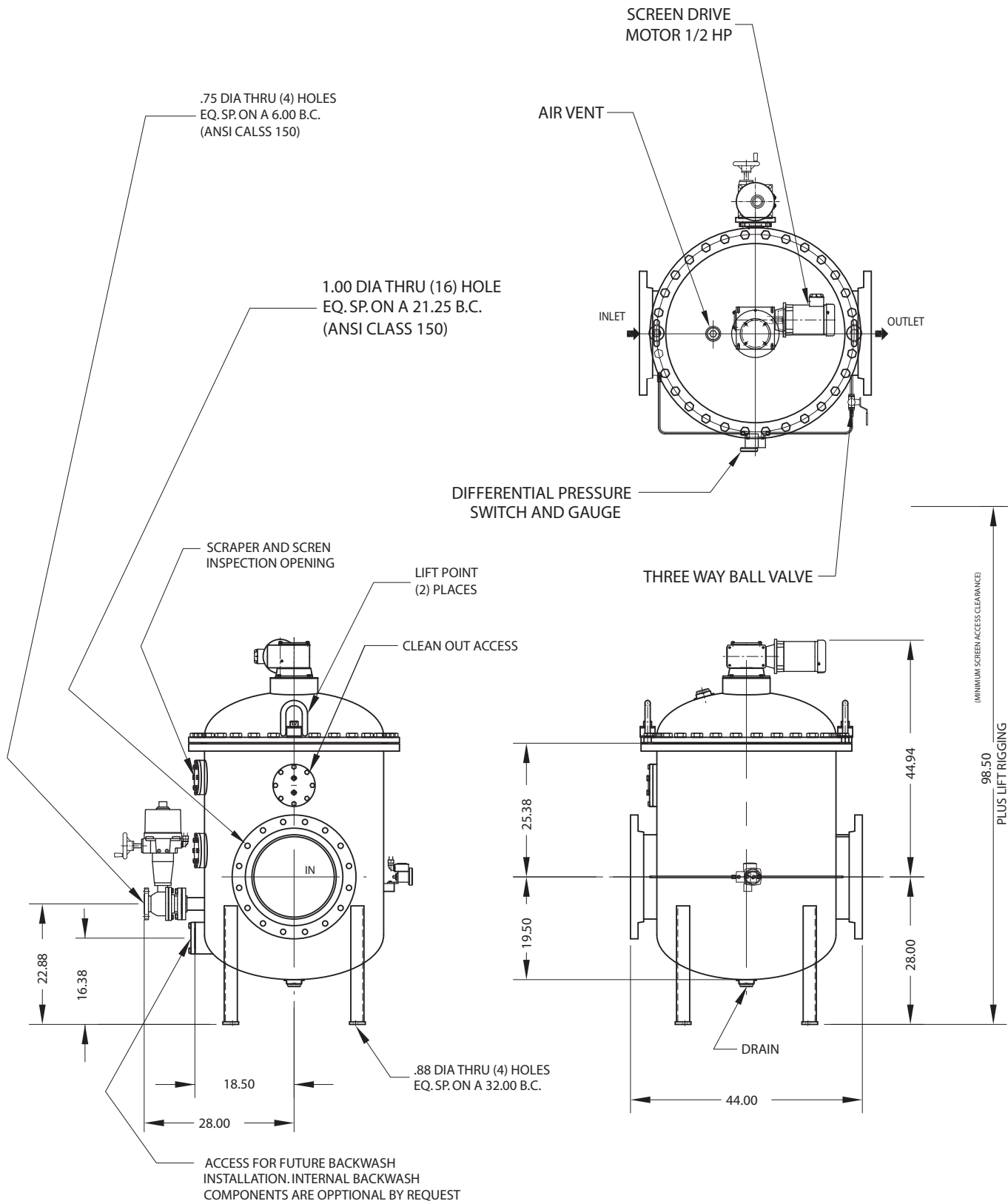
In-Line Flow Type SA



Weight – 1392 lb/633 kg

16" AUTOMATIC STRAINER

In-Line Flow Type SA

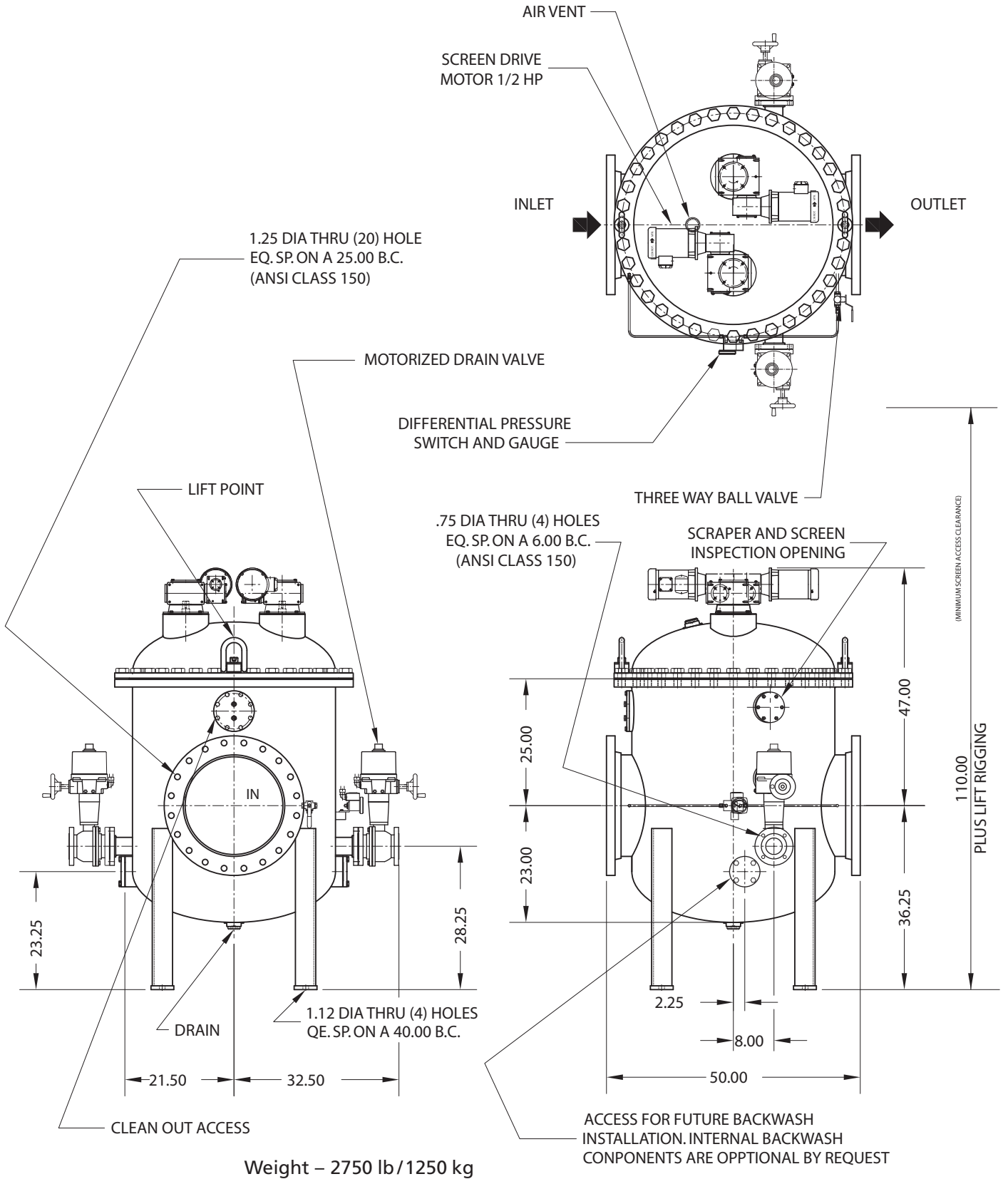


Weight – 1771 lb/805 kg

20" AUTOMATIC STRAINER

In-Line Flow Type WDA

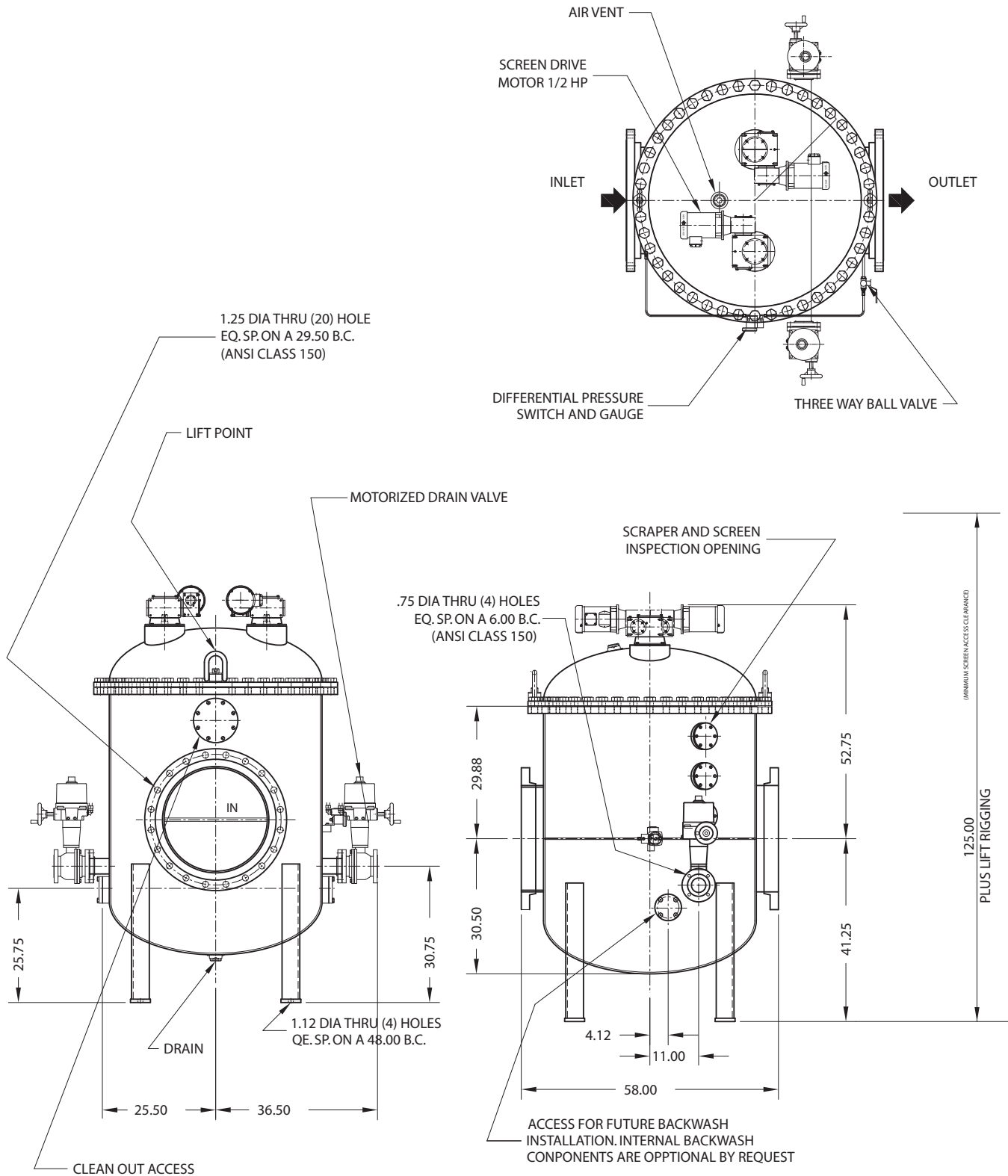
48



24" AUTOMATIC STRAINER

In-Line Flow Type WDA

50



Weight – 3590 lb/1632 kg

30" AUTOMATIC STRAINER

In-Line Flow Type WDA

